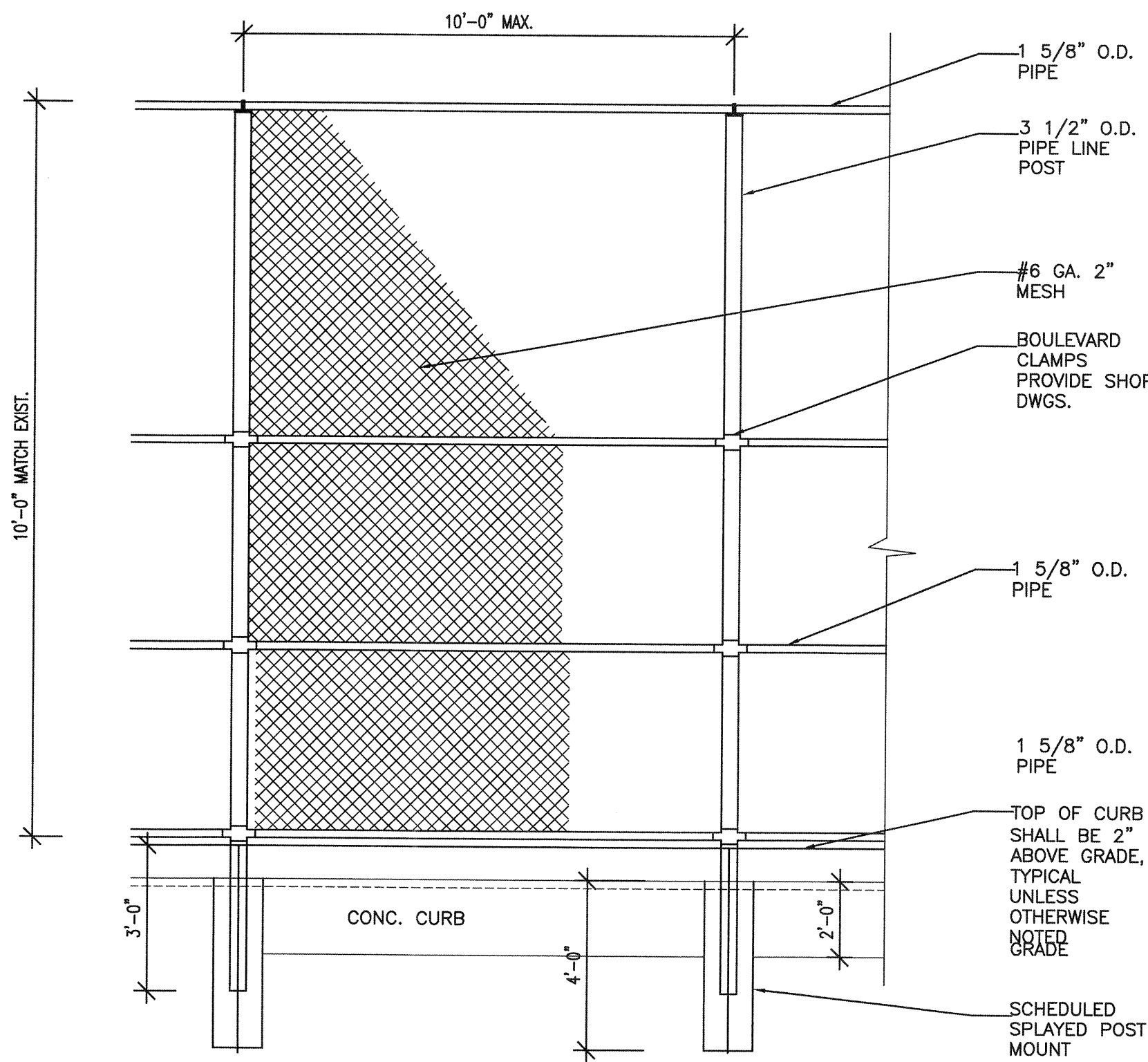


1 CHAINLINK FENCE GATE
A042 NTS



2 CHAINLINK FENCE GATE
A042 NTS

GENERAL NOTES:

1. FOR ALL REINFORCEMENT, REBAR AND CONCRETE CONNECTION DETAILS, SEE STRUCTURAL DRAWINGS.
2. SHOP DRAWINGS FOR CHAIN LINK FENCE SHALL BE COORDINATED BY CONTRACTOR BASED ON MANUFACTURERS' ASSESSMENT OF DESIGN INTENT. MFR TO SUBMIT FINAL LAYOUT TO AOR FOR REVIEW PRIOR TO MANUFACTURE.

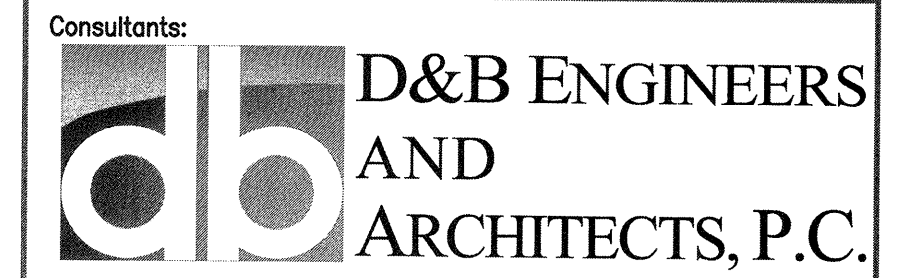
President & CEO
Lorraine Grillo

Board of Trustees
Chancellor Carmen Farifa, Chairperson
Curtis A. Harris
Emily A. Youssouf



Architecture & Engineering

E. Bruce Barrett, R.A. LEED A.P., Vice President
Elan R. Abneri, P.E., Senior Director, Design Consultant Management
Stanley Dahir, R.A., Director, Quality Control & Construction Support
Marfa A. Gomez, P.E., LEED A.P., Director, A/E In-House Design
George D. Roussey, P.E., LEED A.P., Director, Technical Standards
Stacey Spann-Thom, Director, Operations Support



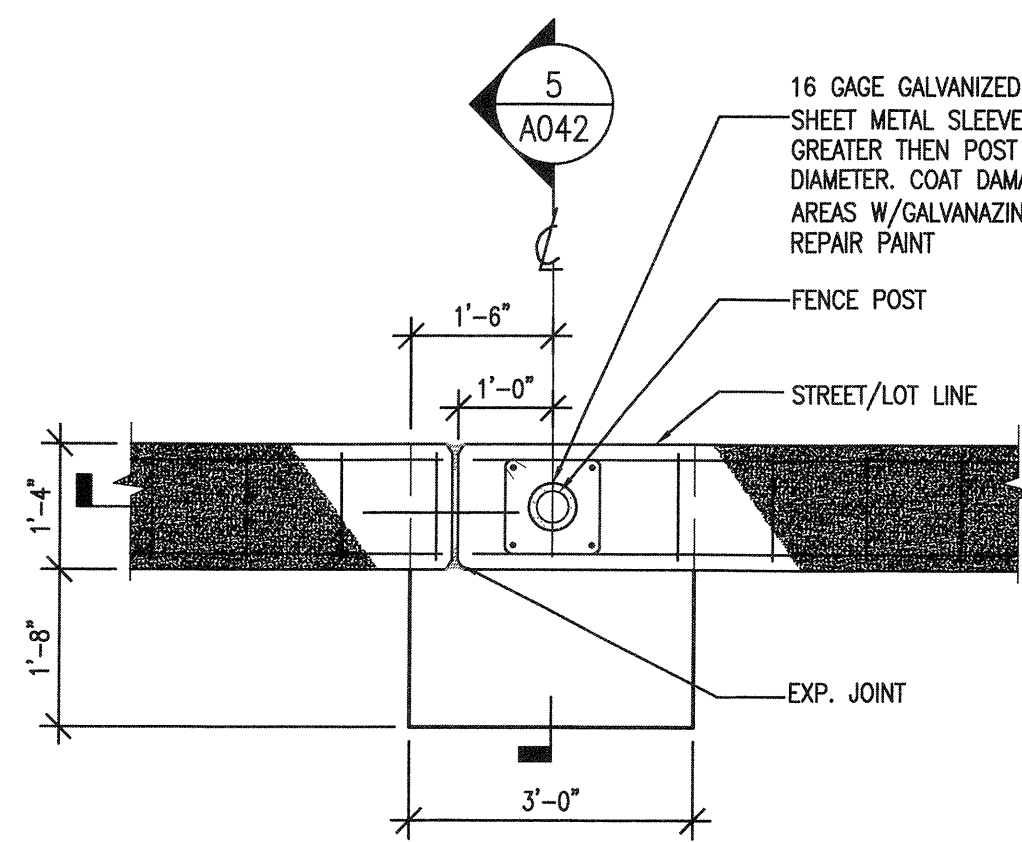
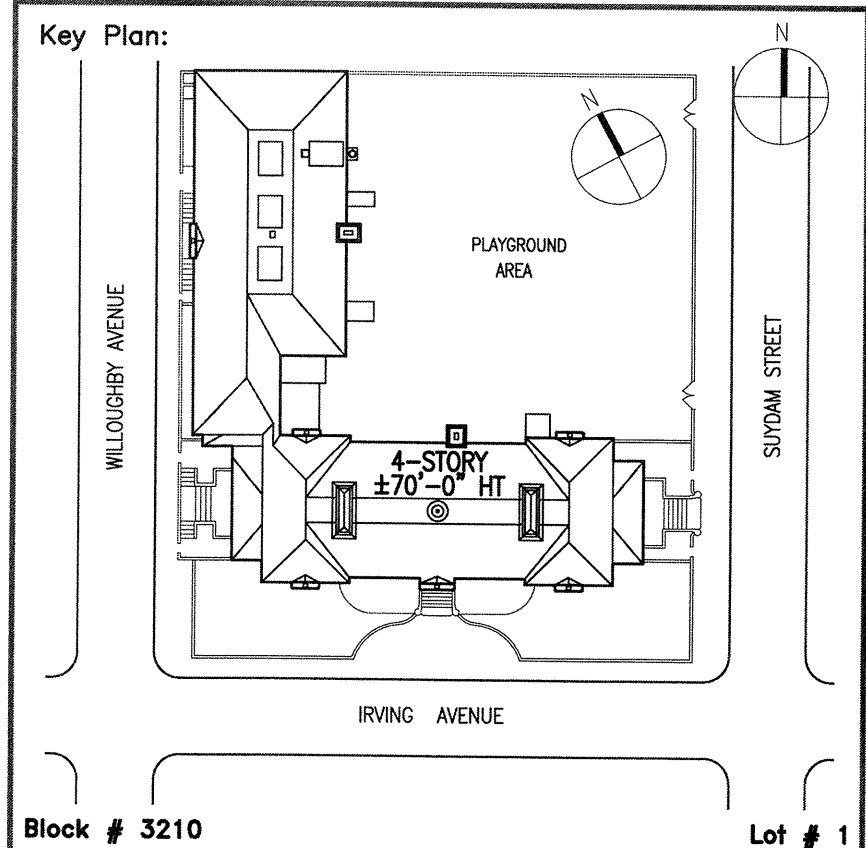
KNOWN AS DVIKRA AND BARTILUCCI CONSULTING ENGINEERS
4 West Red Oak Lane, White Plains, N.Y. 10604
(914) 467-5300 FAX: (914) 467-6103

BID DOCUMENT

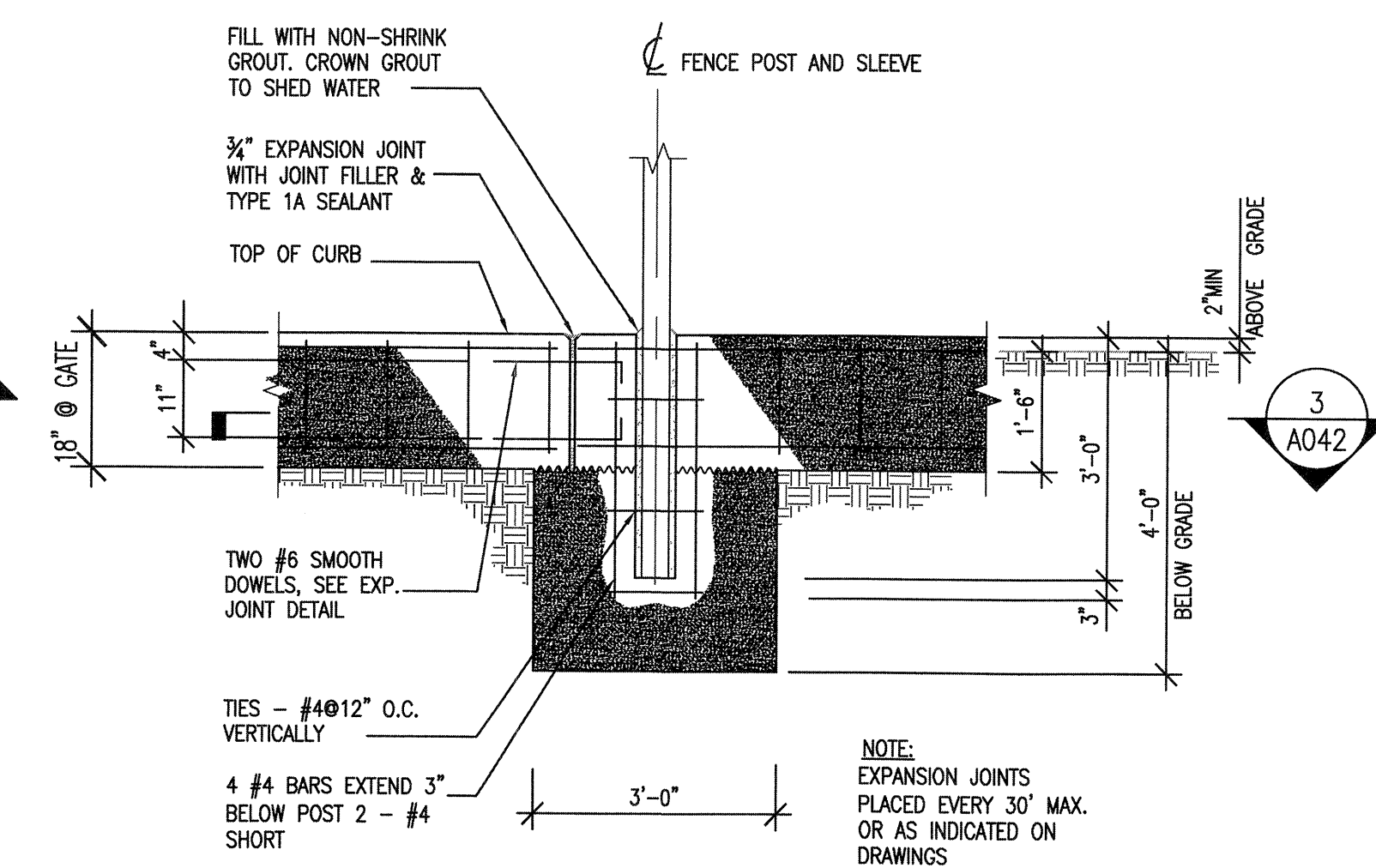
NOTE: Drawing may be printed at reduced scale

IT IS A VIOLATION OF THE STATE EDUCATION LAW SECTION 7209 (2) FOR ANY PERSON TO ALTER AN ITEM IN ANY WAY UNLESS SUCH PERSON IS ACTING UNDER THE DIRECTION OF A LICENSED PROFESSIONAL ENGINEER, AND THE ENGINEER STAMPS SUCH CHANGES

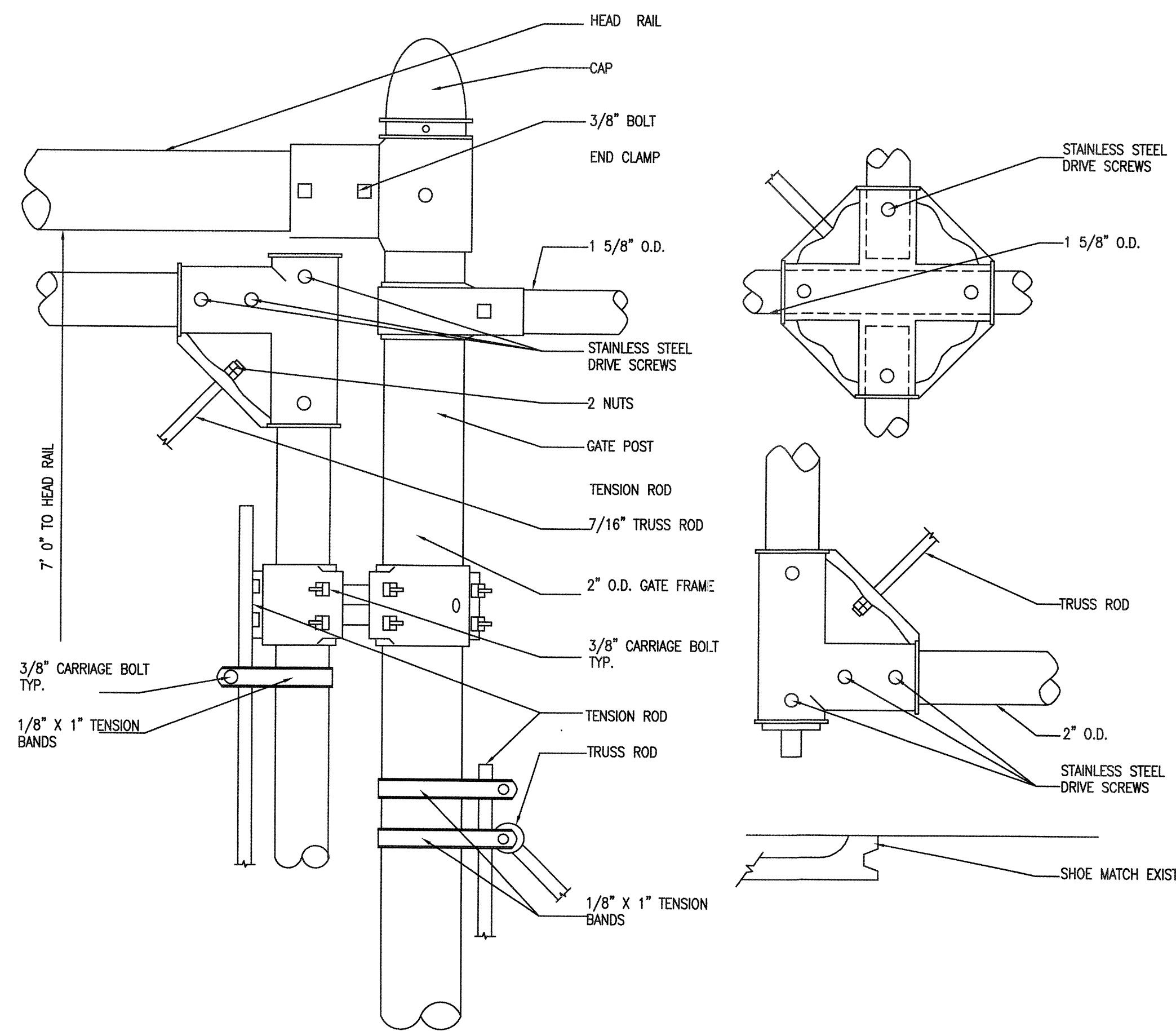
No.	Date	Revision



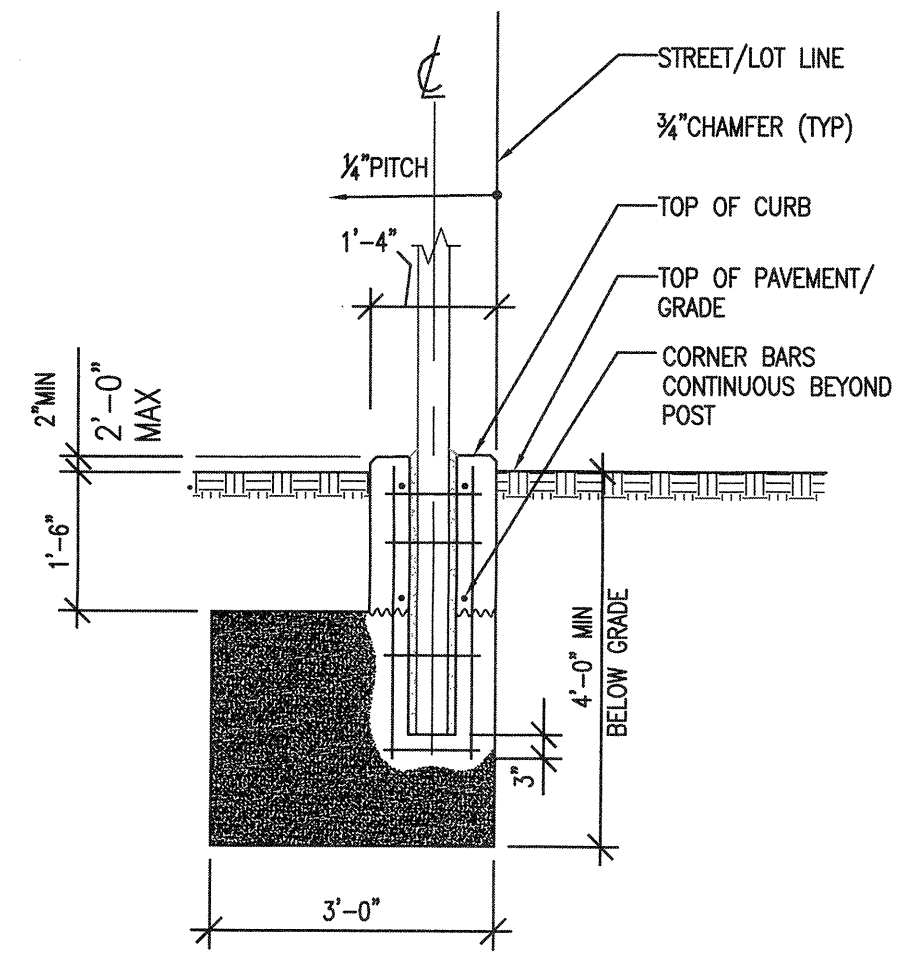
3 PLAN CHAIN LINK FENCE DETAIL
A042



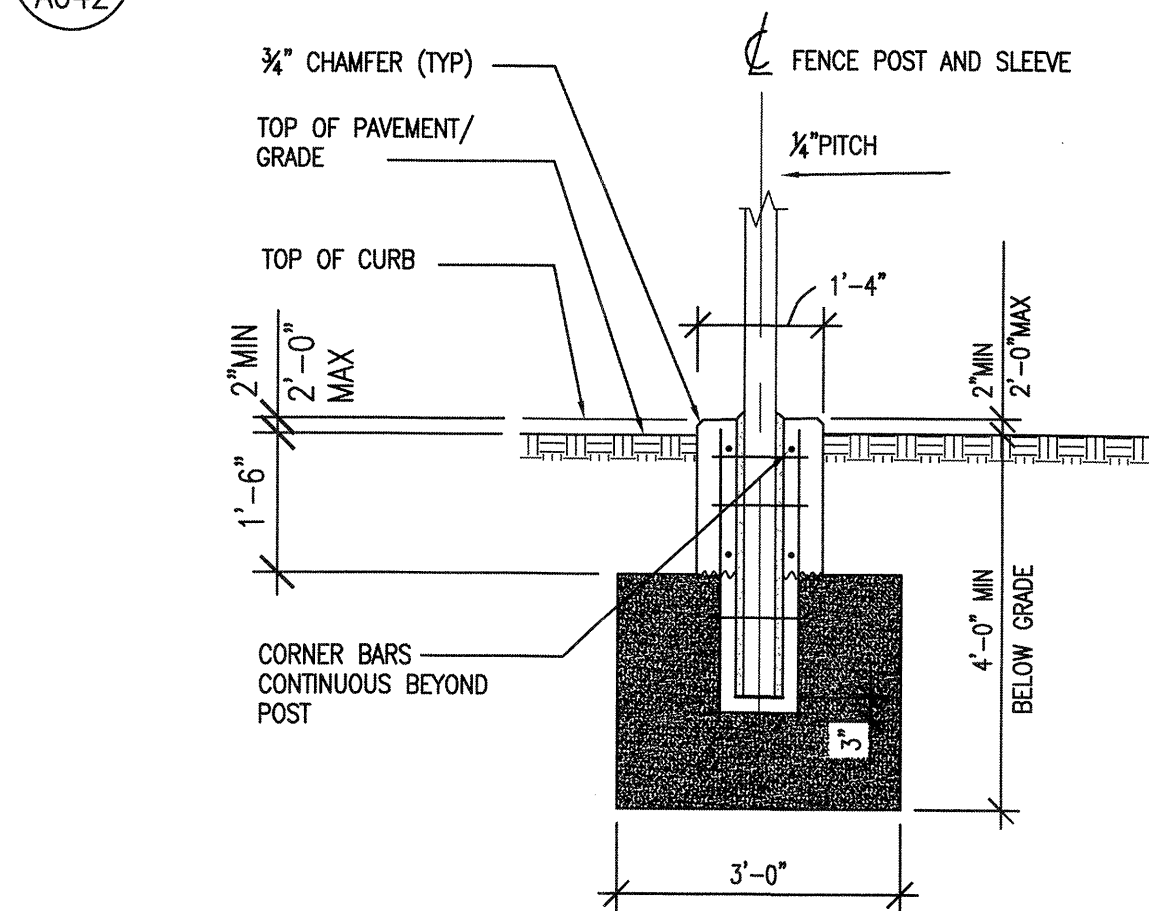
4 SECTION CHAIN LINK FENCE
A042



7 DETAIL GATE W/ SLIP FITTING
A042 NTS



5 SECTION @LOT LINE CHAINLINK FENCE
A042 NTS



6 SECTION WITHIN LOT CHAINLINK FENCE
A042 NTS

SCA Design Manager:	LAWRENCE EINSTEIN, R.A.	
Project Architect/Engineer:	MICHAEL RODRIGUEZ, R.A.	
Discipline Lead:	ANDRE KEEL, R.A.	
Designer:	MICHAEL SCIARRILLO, R.A.	
Drawn by:	MICHAEL SCIARRILLO, R.A.	
Checked by:	MARSHA LEED, R.A.	
Design No or LLW No.:	Facility Code:	Date:
D014584	K123	03/24/2014

Project:
P.S. 123 BROOKLYN
ROOF, EXTERIOR MASONRY, FLOOD ELIMINATION,
CORRIDOR FLOORS, PAVED AREAS
Address:
100 IRVING AVENUE
BROOKLYN, NY 11237

Drawing Title:
CHAIN LINK FENCE DETAILS

Drawing No.:
A042.00

Sheets in Contract Set:
24 of 75

Sheets in DOB Set:
24 of 75