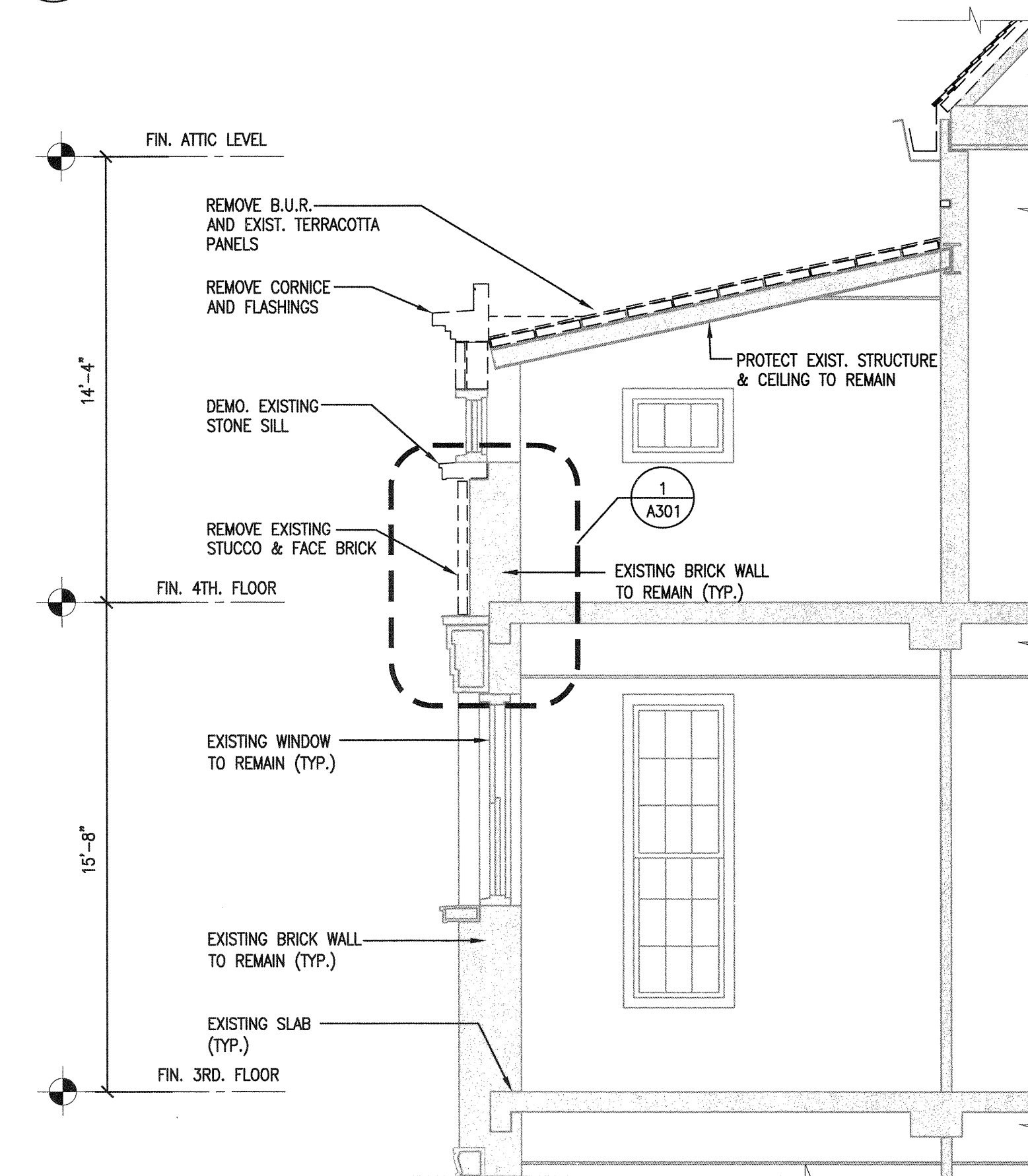
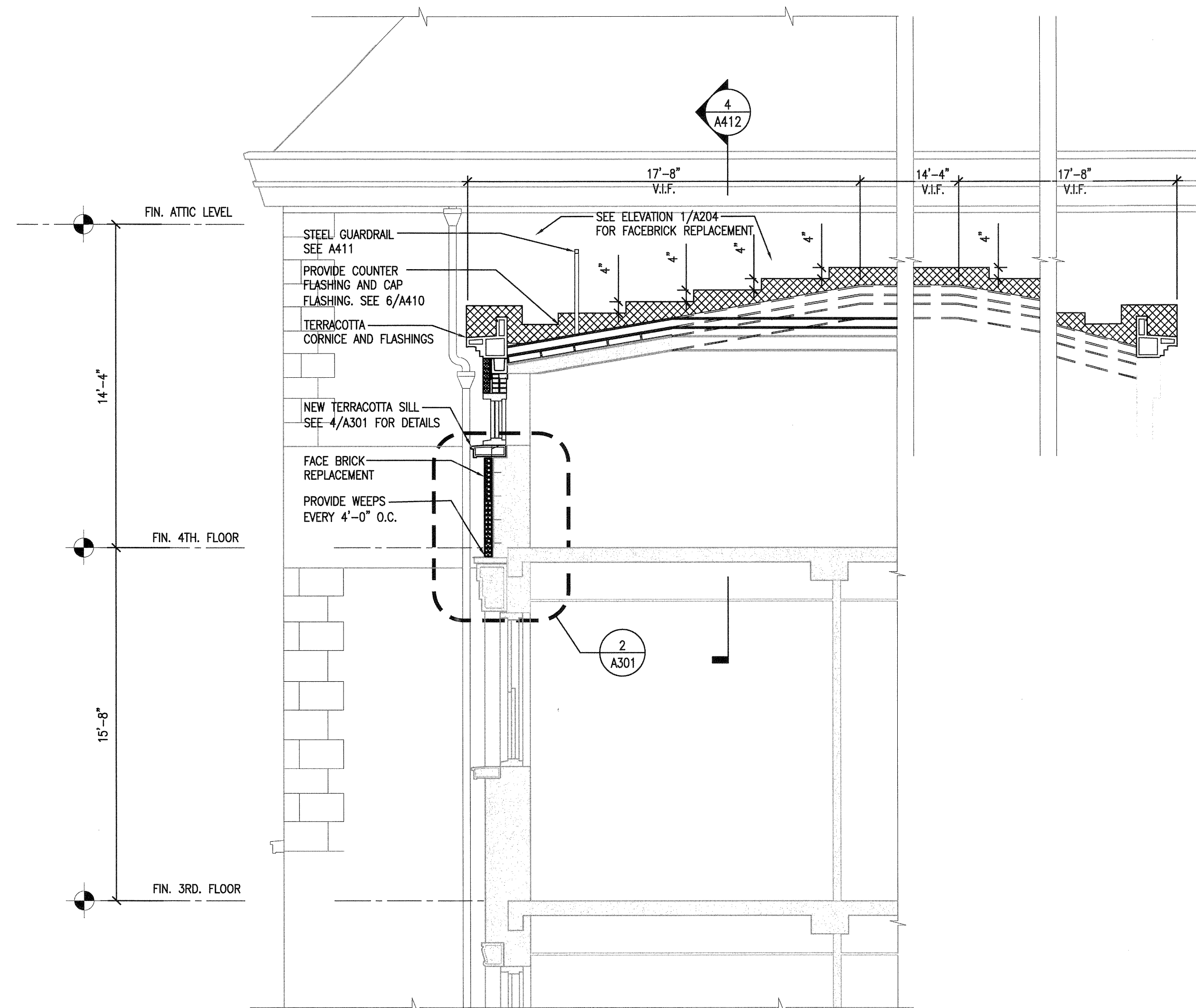


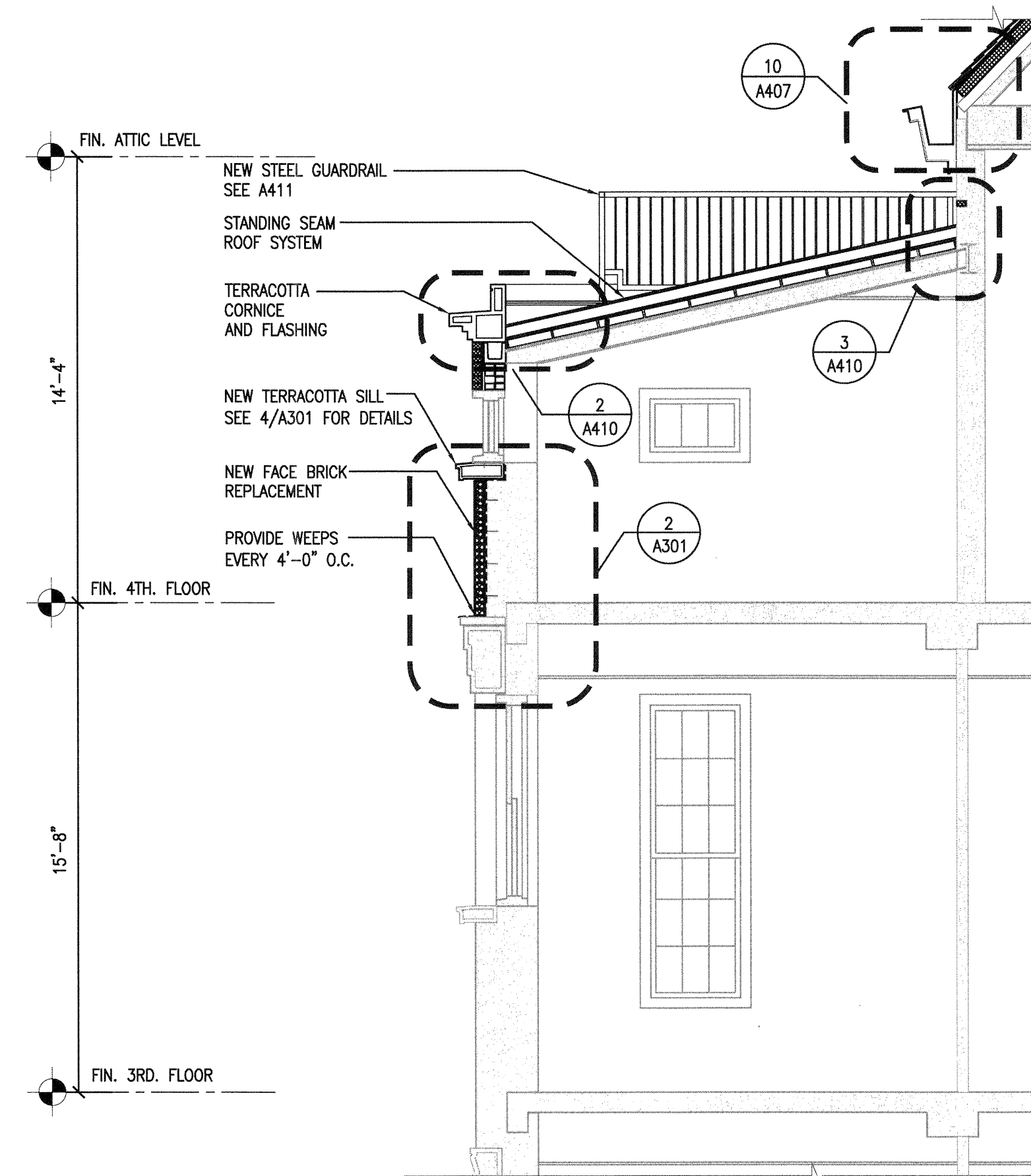
1 LONG SECTION AT TOILET ROOM WALL – DEMOLITION
A412 SCALE: 1/4" = 1'-0"



3 CROSS SECTION AT TOILET ROOM WALL – DEMOLITION
A412 SCALE: 1/4" = 1'-0"



2 LONG SECTION AT TOILET ROOM WALL
A412 SCALE: 1/4" = 1'-0"



4 CROSS SECTION AT TOILET ROOM WALL
A412 SCALE: 1/4" = 1'-0"

LEGEND:

- AREA OF DEMOLITION
- BRICK REFACING & FLASHING REPLACEMENTS
- EXISTING TO REMAIN
- DEMOLITION ITEMS

GENERAL NOTE:

COORDINATE NEW STEP FLASHING W/EXISTING BRICK. REMOVE AND REPLACE BRICKS AS REQUIRED.

President & CEO
Lorraine Grillo

Board of Trustees
Chancellor Carmen Fariña, Chairperson
Curtis A. Harris
Emily A. Youssef

Architecture & Engineering
E. Bruce Barrett, R.A. LEED A.P., Vice President
Elan R. Abneri, P.E., Senior Director, Design Consultant Management
Stanley Dahir, R.A., Director, Quality Control & Construction Support
María A. Gómez, P.E., LEED A.P., Director, A&E In-House Design
George D. Roussey, P.E., LEED A.P., Director, Technical Standards
Stacey Spann-Thorn, Director, Operations Support

Consultants:
 D&B ENGINEERS AND ARCHITECTS, P.C.
KNOWN AS DVIRKA AND BARTILUCCI CONSULTING ENGINEERS
4 West Red Oak Lane, White Plains, N.Y. 10604
(914) 467-5300 FAX: (914) 467-6103

BID DOCUMENT

NOTE: Drawing may be printed at reduced scale

IT IS A VIOLATION OF THE STATE EDUCATION LAW SECTION 7209 (2) FOR ANY PERSON TO ALTER AN ITEM IN ANY WAY UNLESS SUCH PERSON IS ACTING UNDER THE DIRECTION OF A LICENSED PROFESSIONAL ENGINEER, AND THE ENGINEER STAMPS SUCH CHANGES

No.	Date	Revision

Key Plan:

SCA Design Manager:	LAWRENCE EINSTEIN, R.A.	
Project Architect/Engineer:	MICHAEL RODRIGUEZ, R.A.	
Discipline Lead:	ANDRE KEEL, R.A.	
Designer:	MARTHA VICTORIA, R.A.	
Drawn by:	MARTHA VICTORIA, R.A.	
Checked by:	MARSHA LEED, R.A., JUSTIN OTTO	
Design No or LLW No.:	Facility Code:	Date:
D014584	K123	03/24/2014

Project:
P.S. 123 BROOKLYN
ROOF, EXTERIOR MASONRY, FLOOD ELIMINATION,
CORRIDOR FLOORS, PAVED AREAS

Address:
100 IRVING AVENUE
BROOKLYN, NY 11237

Drawing Title:
PARTIAL ROOF SECTIONS

Drawing No.:	A412.00
Sheets in Contract Set:	61 of 75
Sheets in DOB Set:	61 of 75

z:\3037_SCA\2012 contract work\ps123_contract documents\CA0412-K123.dwg, 5/7/2014 11:46:16 AM, mvictoria

z:\3037_SCA\2012 contract work\ps123_contract documents\CA0412-K123.dwg, 05/07/14 11:45am, mvictoria