

President & CEO
Lorraine Grillo

Board of Trustees

Chancellor Carmen Fariña, Chairperson
Curtis A. Harris
Emily A. Youssouf



Architecture & Engineering

E. Bruce Barrett, R.A. LEED A.P., Vice President
Evan R. Abner, P.E., Senior Director, Design Consultant Management
Stanley Dahir, R.A., Director, Quality Control & Construction Support
Maria A. Gomez, P.E., LEED A.P., Director, A/E In-House Design
George D. Roussey, P.E., LEED A.P., Director, Technical Standards
Stacey Spann-Thom, Director, Operations Support

Consultants:

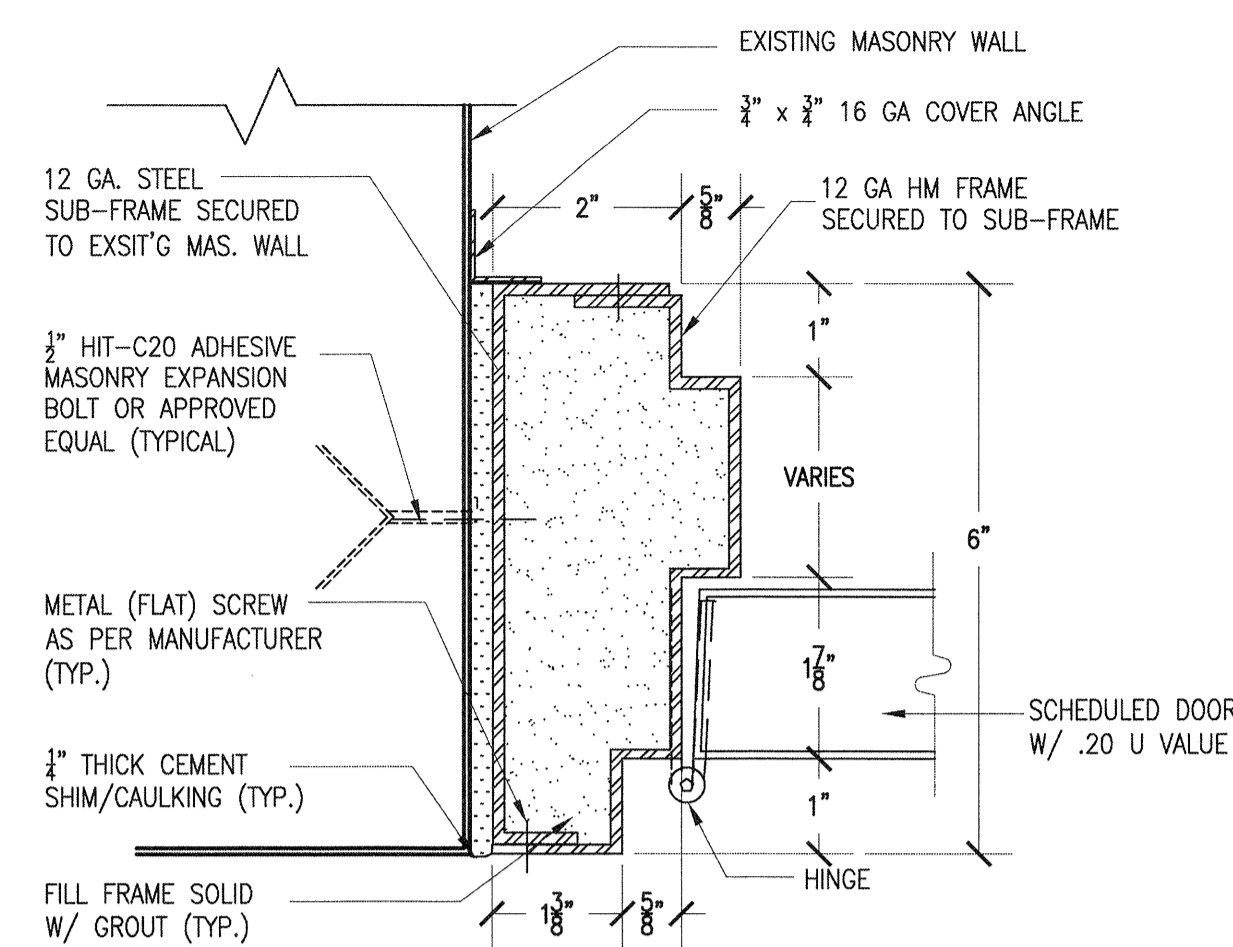


KNOWN AS DVIRKA AND BARTILUCCI CONSULTING ENGINEERS
4 West Red Oak Lane, White Plains, N.Y. 10604
(914) 467-5300 FAX: (914) 467-6103

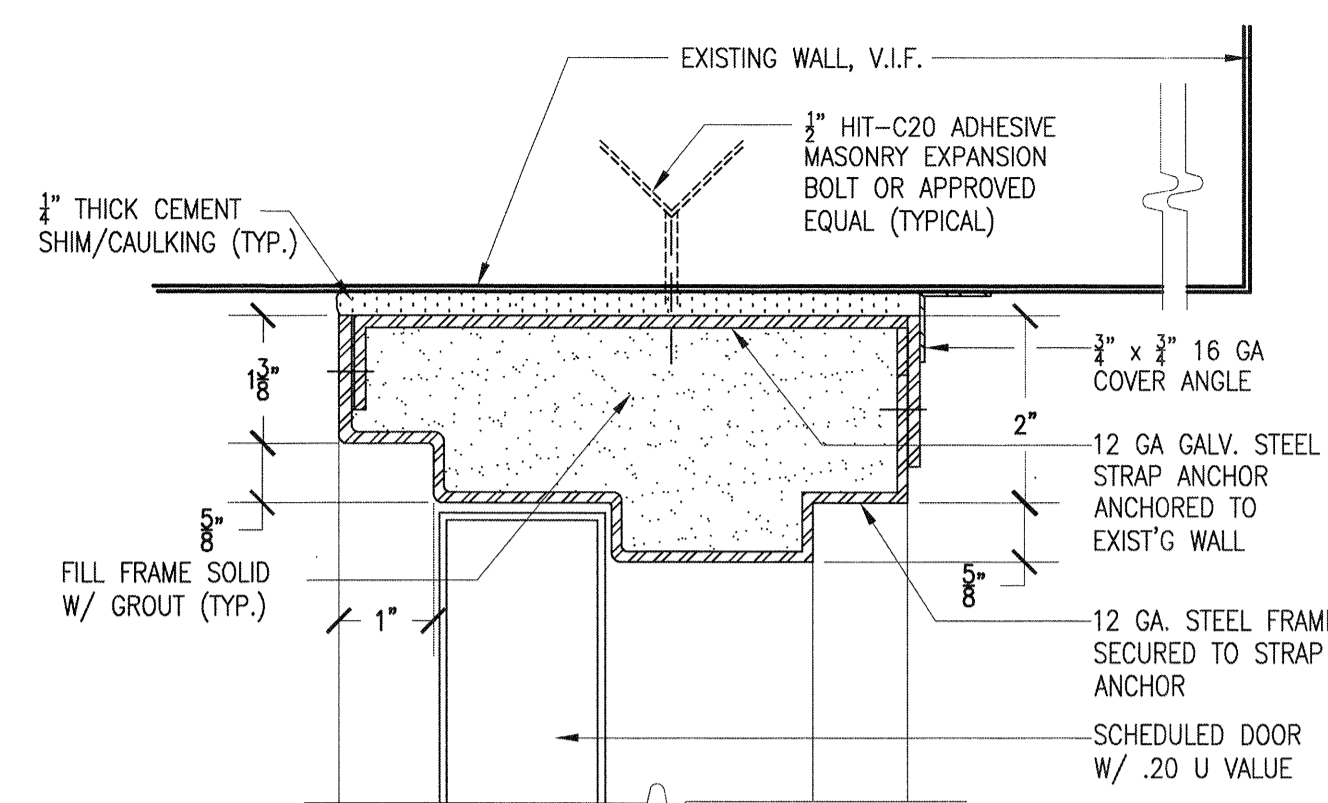
BID DOCUMENT

NOTE: Drawing may be printed at reduced scale

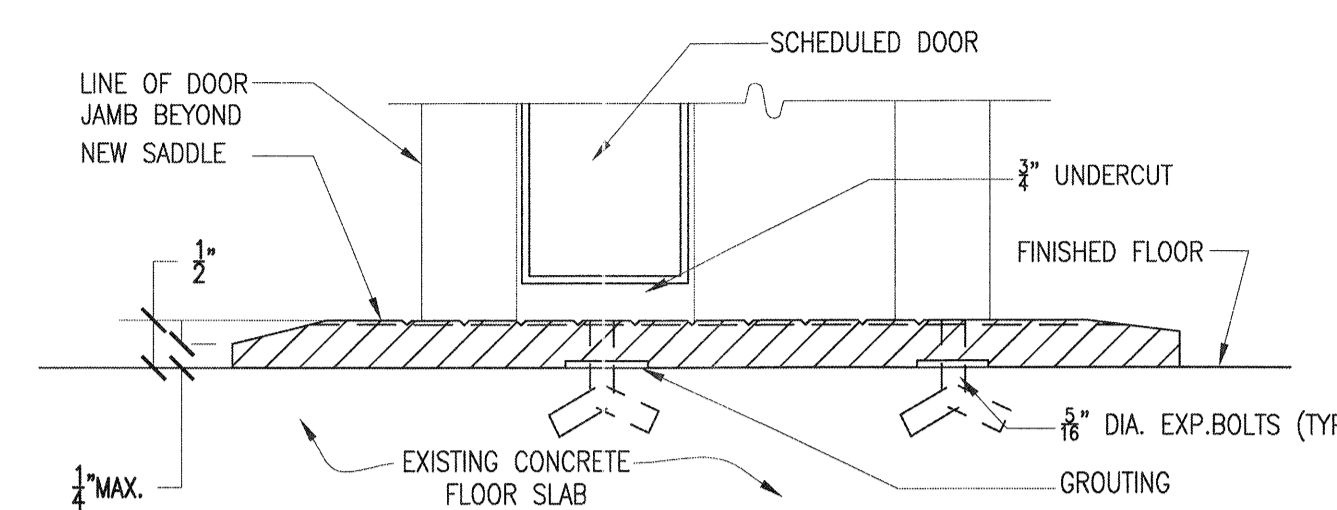
IT IS A VIOLATION OF THE STATE EDUCATION LAW SECTION 7209 (2) FOR ANY PERSON TO ALTER AN ITEM IN ANY WAY UNLESS SUCH PERSON IS ACTING UNDER THE DIRECTION OF A LICENSED PROFESSIONAL ENGINEER, AND THE ENGINEER STAMPS SUCH CHANGES



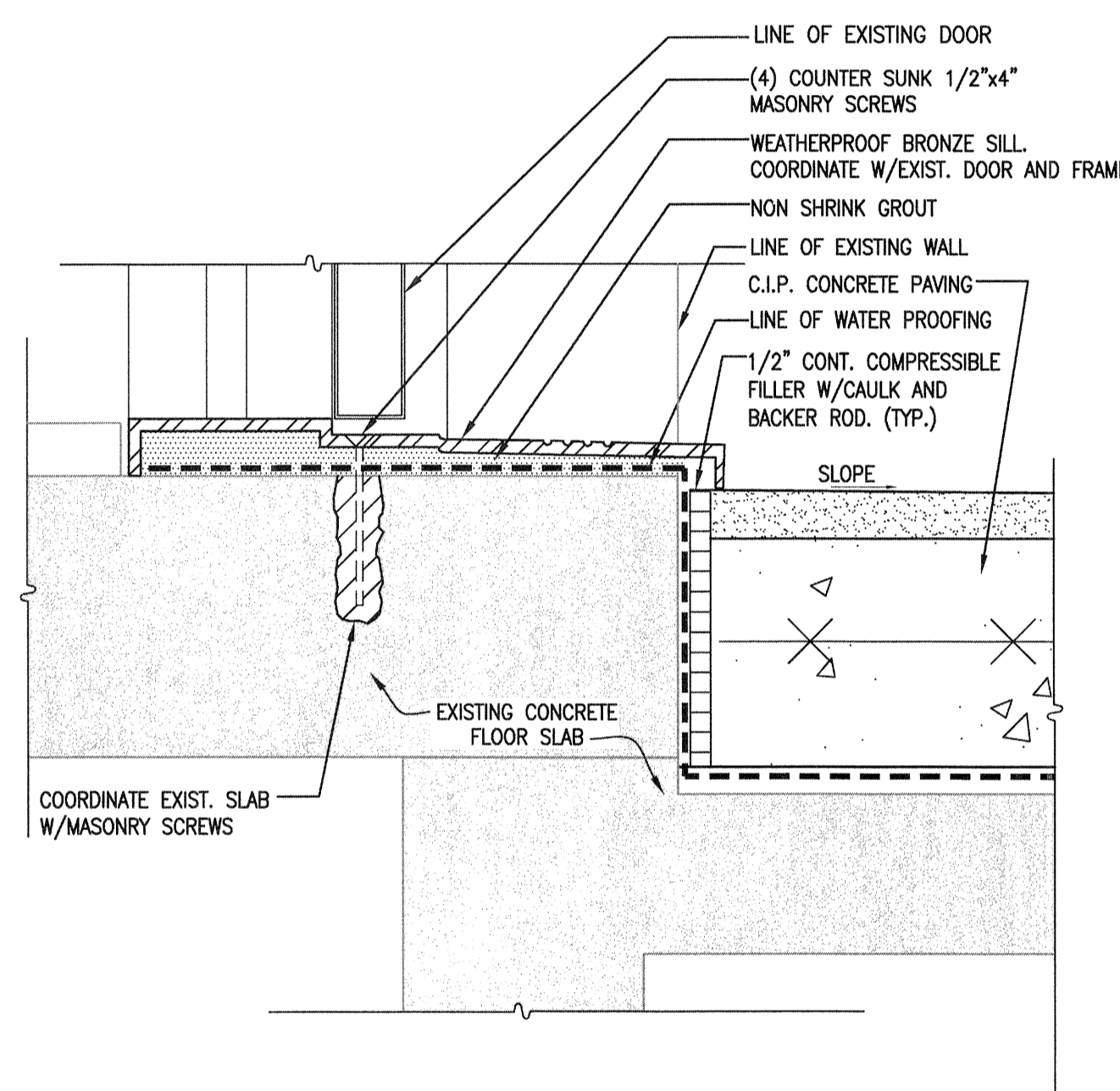
1 JAMB DETAIL
A910 SCALE: 6" = 1'-0"



2 SECTION THROUGH HEAD
A910 SCALE: 6" = 1'-0"



3 SADDLE DETAIL
A910 SCALE: 6" = 1'-0"



4 SADDLE DETAIL - EXT. DOOR @ COURTYARD
A910 SCALE: 3" = 1'-0"

DOOR SCHEDULE:

DOOR NO.	INT./EXT.	TYPE	MAT.	NO.	DOOR			FRAME			FIRE RATING	HARDWARE SET - SEE SPECIFICATION #08710	REMARKS			
					NOMINAL SIZE	TYPE	MAT.	JAMB	HEAD	SILL				M.O.		
GRADE & FIRST FLOORS																
D001	EXT.	FV	HM	1	3'-0"	7'-0"	1-3/4"	SF	SOLID	1/A910	2/A910	3/A910	7'-0" X 3'-4"	NA	8	REMOVE & REPLACE
D002	EXT.	FV	HM	1	3'-0"	7'-0"	1-3/4"	SF	SOLID	1/A910	2/A910	3/A910	7'-0" X 3'-4"	NA	8	REMOVE & REPLACE
D003	EXT.	FV	HM	1	3'-0"	7'-0"	1-3/4"	SF	SOLID	1/A910	2/A910	3/A910	7'-0" X 3'-4"	NA	8	REMOVE & REPLACE
D004	EXT.	FV	HM	1	3'-0"	7'-0"	1-3/4"	SF	SOLID	1/A910	2/A910	3/A910	7'-0" X 3'-4"	NA	8	REMOVE & REPLACE
D005	EXT.	F	HM	1	3'-5"	6'-1"	1-3/4"	SF	SOLID	1/A910	2/A910	3/A910	MATCH EXISTING	NA	8	REMOVE & REPLACE
D006	EXT.	FV	HM	1	3'-0"	7'-0"	1-3/4"	SF	SOLID	1/A910	2/A910	3/A910	EXISTING	NA	8	REMOVE & REPLACE. PROVIDE WATERPROOF THRESHOLD

TYPICAL DOOR TYPES:

F = FLUSH DOOR (NUMBER = NUMBER OF DOORS)

V = VISION PANEL (NUMBER = NUMBER OF LIGHTS)

T = TOP

B = BOTTOM

TYPICAL FRAME TYPES:

SF = SINGLE FRAME

DF = DOUBLE FRAME

TF = TRIPLE FRAME

M = FIXED MULLION

RM = REMOVABLE MULLION

A = ASTRAGAL (NO MULLION)

T = TRANSOM ABOVE

K = KICK PLATE

R = FIRE RATED

EXAMPLE: FV1LPK = FLUSH/ONE VISION PANEL/LOUVER/PUSH PLATE/KICK PLATE

EXAMPLE: DFRMT = DOUBLE FRAME/REMOVABLE MULLION/TRANSOM

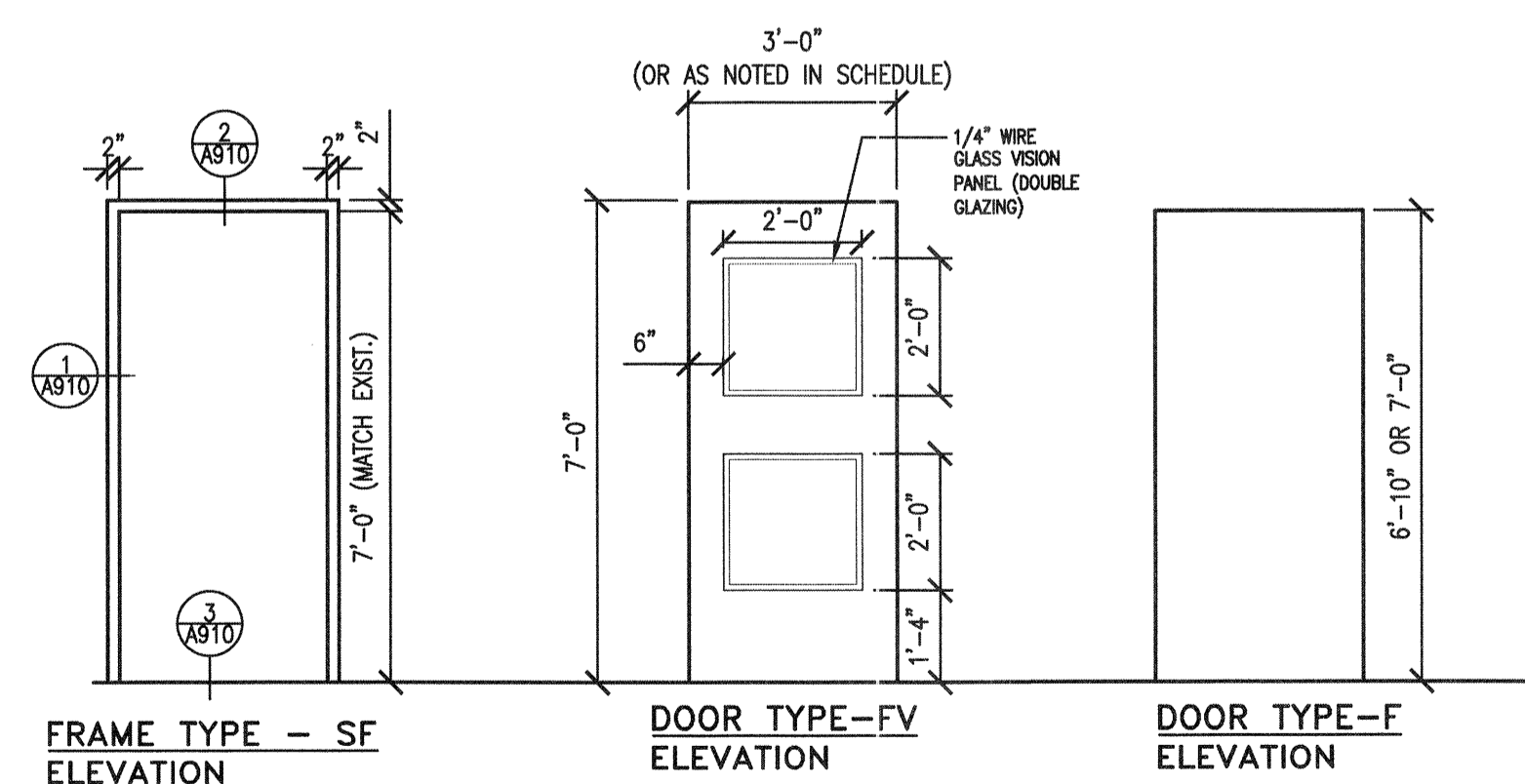
TYPICAL DOOR AND DOOR FRAME MATERIALS:

SS = STAINLESS STEEL

HM = HOLLOW METAL

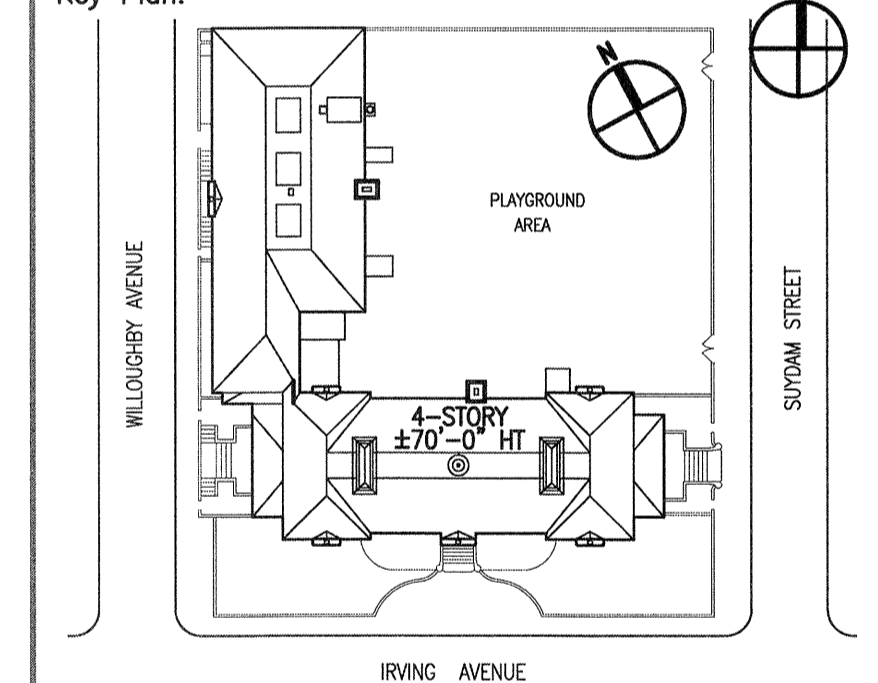
WD = WOOD

NOTES: ALL EXTERIOR DOORS TO BE INSULATED.



No. Date Revision

Key Plan:



Block # 3210

Lot # 1

SCA Design Manager: LAWRENCE EINSTEIN, R.A.

Project Architect/Engineer: MICHAEL RODRIGUEZ, R.A.

Discipline Lead: ANDRE KEEL, R.A.

Designer: MARTHA VICTORIA, R.A.

Drawn by: MARTHA VICTORIA, R.A.

Checked by: MARSHA LEED, R.A., JUSTIN OTTO

Design No or LLW No.: D014584

Facility Code: K123

Date: 03/24/2014

Project: P.S. 123 BROOKLYN

ROOF, EXTERIOR MASONRY, FLOOD ELIMINATION

CORRIDOR FLOORS, PAVED AREAS

Address: 100 IRVING AVENUE

BROOKLYN, NY 11237

Drawing Title: DOOR DETAILS AND SCHEDULE

Drawing No.:

A910.00

Sheets in Contract Set:

64 of 75

Sheets in DOB Set:

64 of 75

Z:\3037 SCA\2012 contract work\65-ps123k-roof\contract documents\CA0\A910-K123.dwg 05/07/14 - 11:45am m:\ciboria