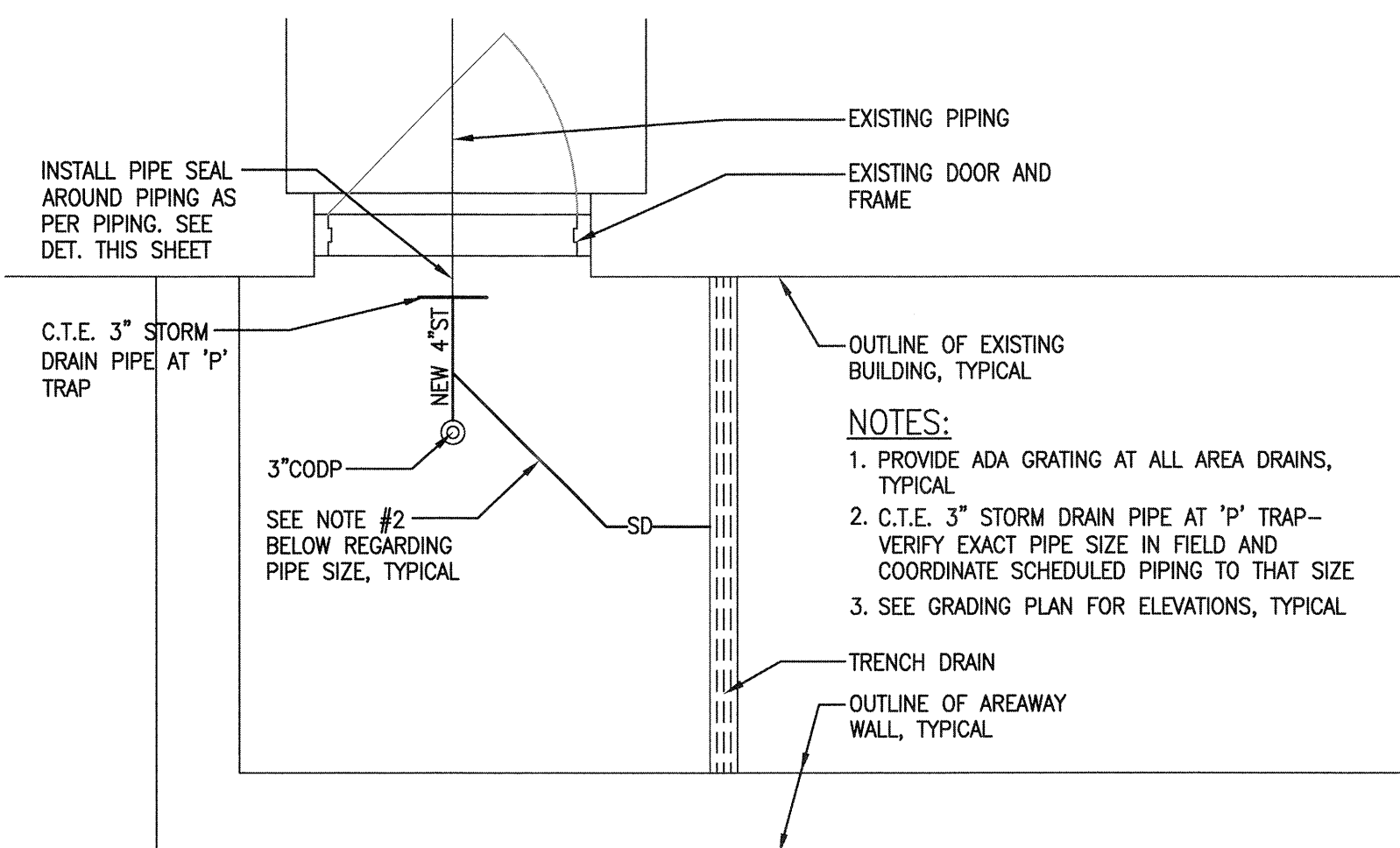
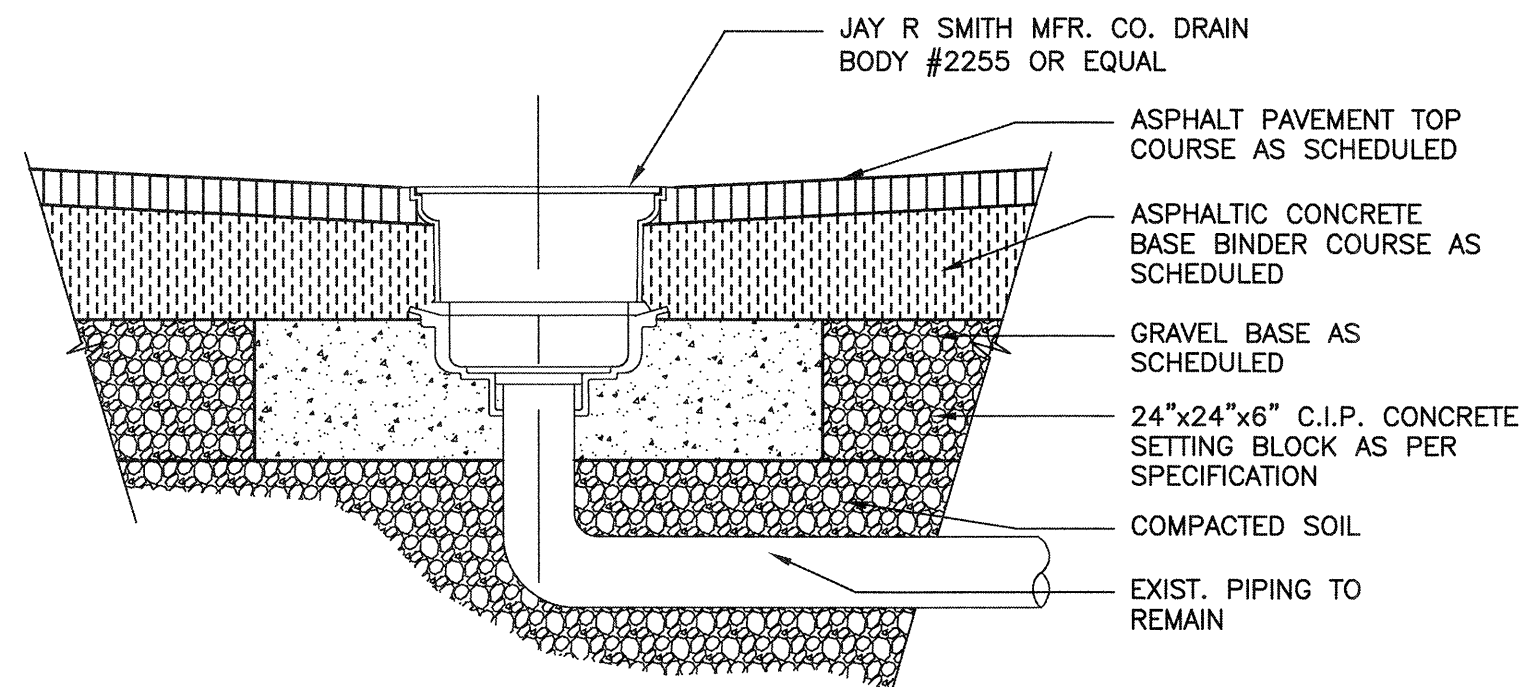


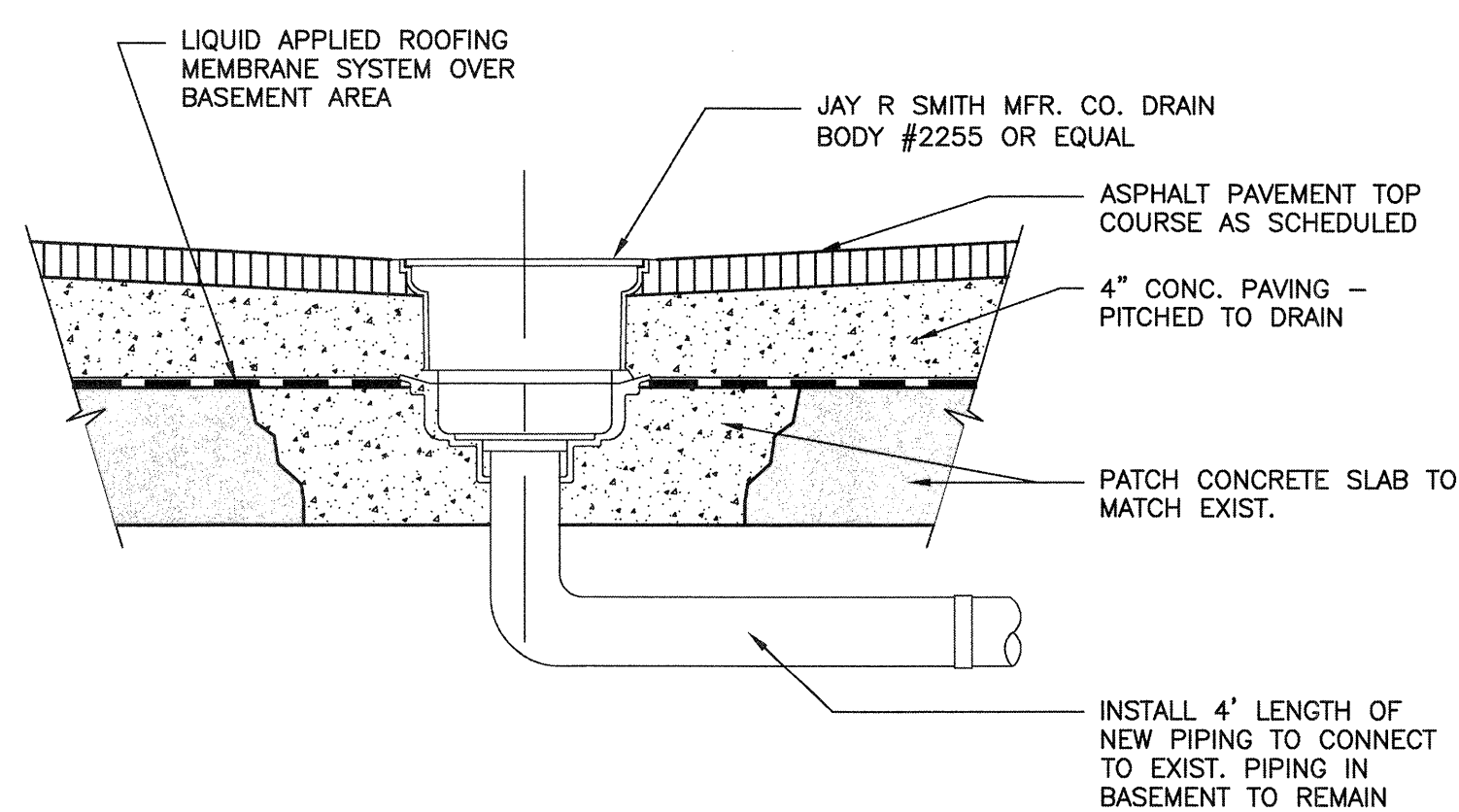
1 AREAWAY PIPING DEMO PLAN  
P101 SCALE 1/2" = 1'-0"



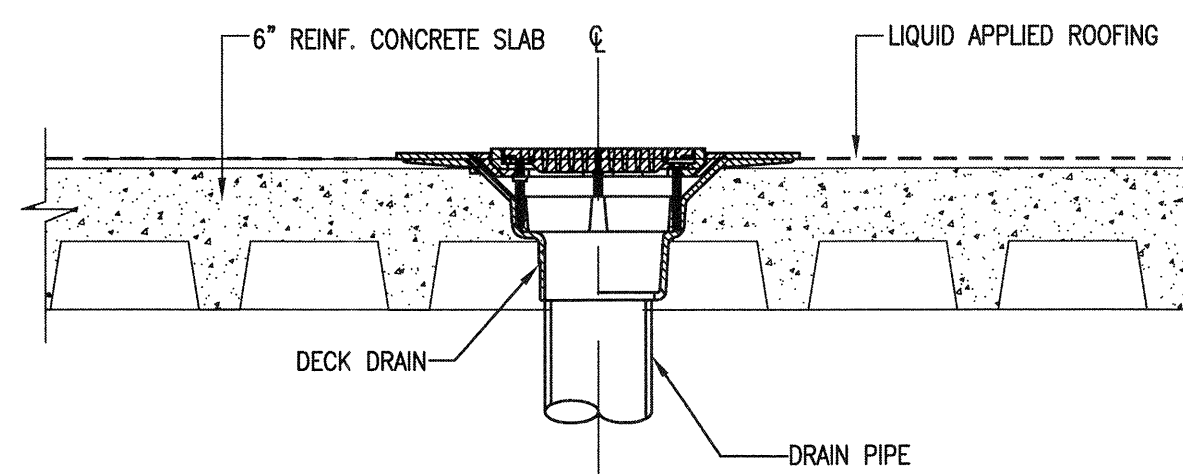
2 AREAWAY PIPING PLAN  
P101 SCALE 1/2" = 1'-0"



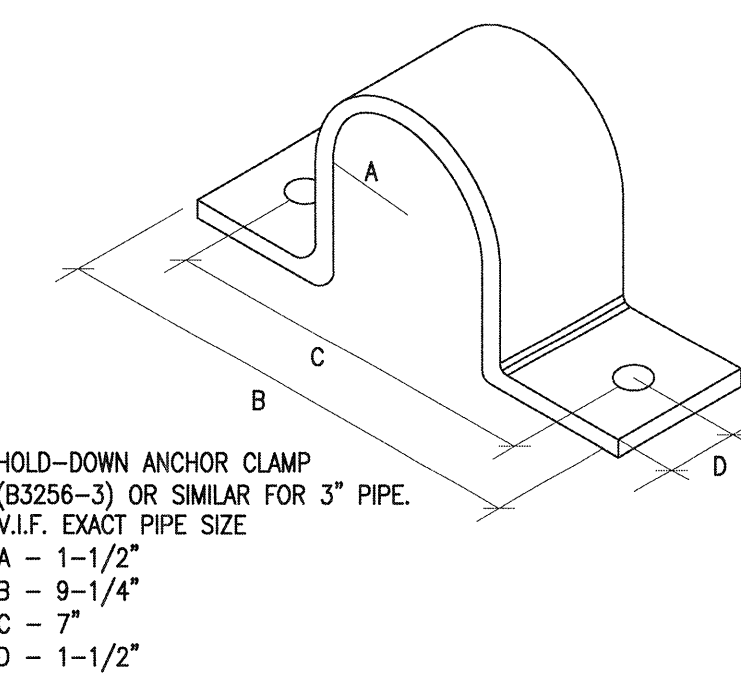
3 SECTION AT YARD DRAIN  
P101 SCALE 1-1/2" = 1'-0"



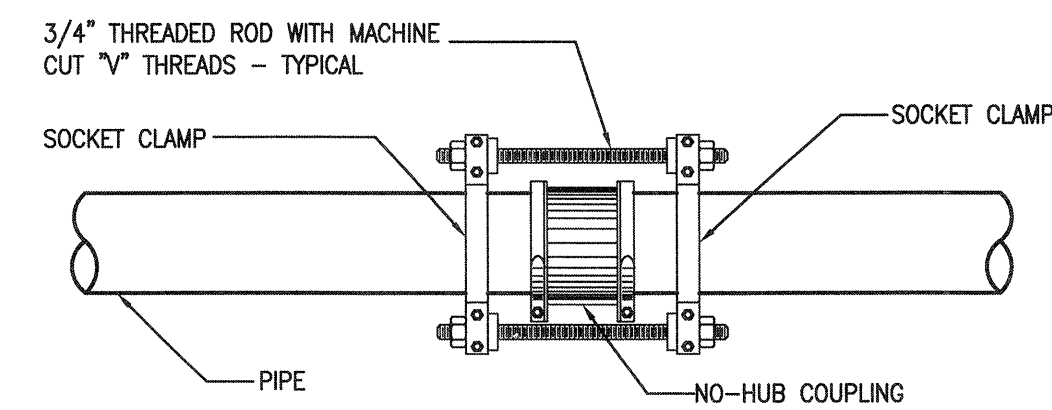
9 SECTION AT YARD DRAIN OVER BASEMENT  
P101 SCALE 1-1/2" = 1'-0"



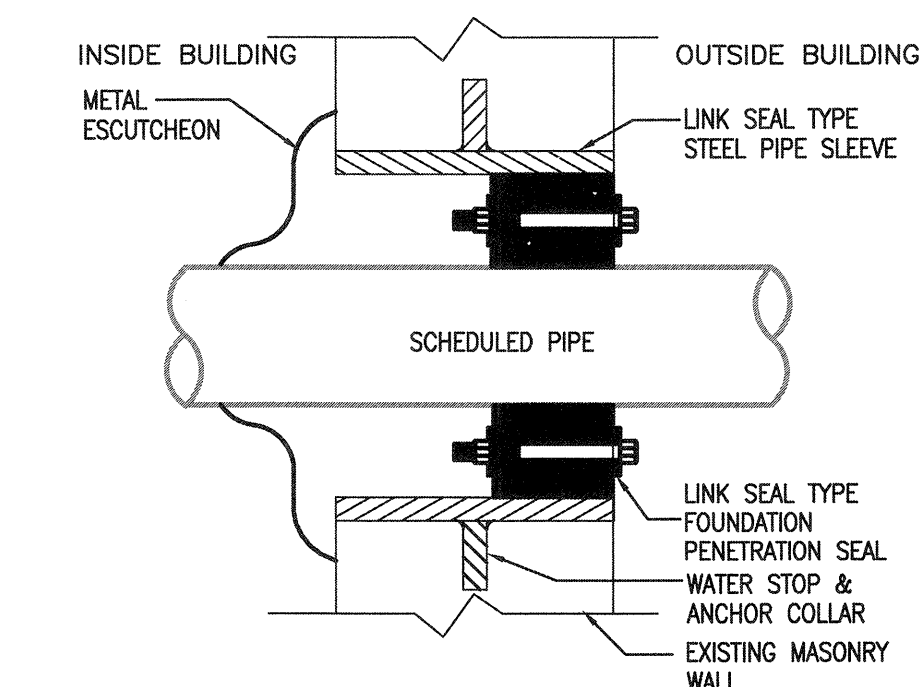
4 SECTION AT DECK DRAIN  
P101 SCALE 1-1/2" = 1'-0"



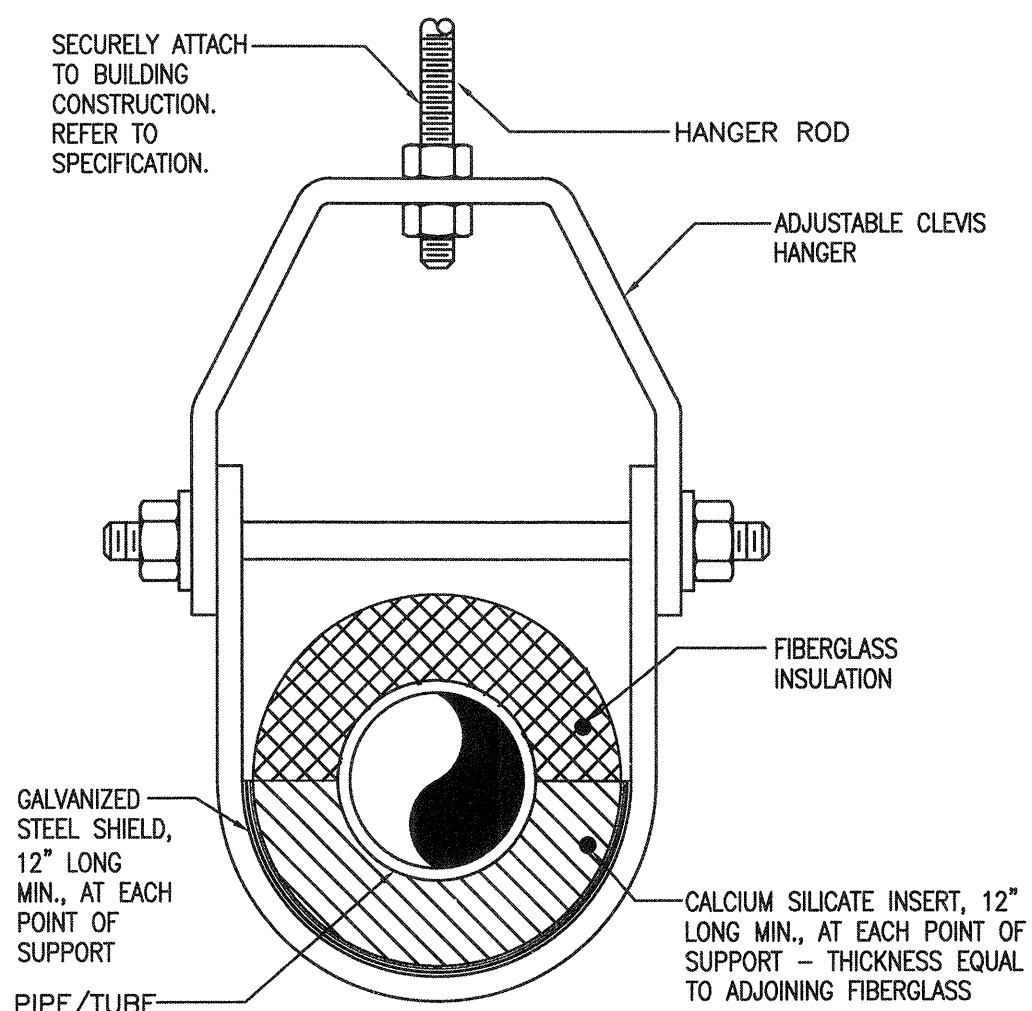
8 PIPE SUPPORT  
P101 SCALE: 3" = 1'-0"



5 NO-HUB PIPE BRACING FOR HORIZ. PIPING  
P101 NOT TO SCALE




6 BELOW GRADE PENETRATION @ FOUNDATION WALL  
P101 NOT TO SCALE



7 ADJUSTABLE CLEVIS PIPE SUPPORT  
P101 NOT TO SCALE FOR INSULATED PIPING/TUBING LARGER THAN 1"

President & CEO  
Lorraine Grillo

Board of Trustees  
Chancellor Carmen Farifa, Chairperson  
Curtis A. Harris  
Emily A. Youssef



Architecture & Engineering

E. Bruce Barrett, R.A. LEED A.P., Vice President  
Elan R. Abneri, P.E., Senior Director, Design Consultant Management  
Stanley Dahir, R.A., Director, Quality Control & Construction Support  
Maria A. Gomez, P.E., LEED A.P., Director, A&E In-House Design  
George D. Roussey, P.E., LEED A.P., Director, Technical Standards  
Stacey Spann-Thorn, Director, Operations Support

Consultants:



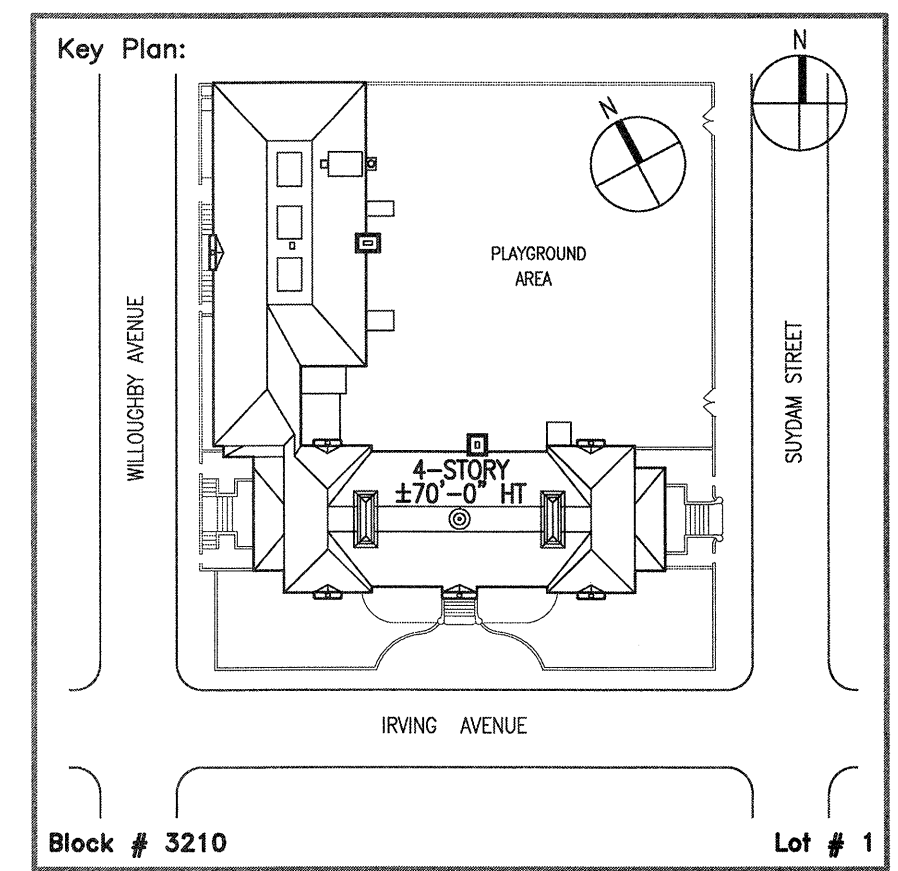
KNOWN AS DVIRKA AND BARTILUCCI CONSULTING ENGINEERS  
4 West Red Oak Lane, White Plains, N.Y. 10604  
(914) 467-5300 FAX: (914) 467-6103

### BID DOCUMENT

**NOTE:** Drawing may be printed at reduced scale

IT IS A VIOLATION OF THE STATE EDUCATION LAW SECTION 7209 (2) FOR ANY PERSON TO ALTER AN ITEM IN ANY WAY UNLESS SUCH PERSON IS ACTING UNDER THE DIRECTION OF A LICENSED PROFESSIONAL ENGINEER, AND THE ENGINEER STAMPS SUCH CHANGES

No.	Date	Revision



Block # 3210	Lot # 1	
SCA Design Manager:	LAWRENCE EINSTEIN, R.A.	
Project Architect/Engineer:	MICHAEL RODRIGUEZ, R.A.	
Discipline Lead:	ANDRE KEEL, R.A.	
Designer:	ANDRE KEEL, R.A.	
Drawn by:	KELSTON SAUL	
Checked by:	MARSHA LEED, R.A.	
Design No or LLW No.:	Facility Code:	Date:
D014584	K123	03/24/2014

Project:  
**P.S. 123 BROOKLYN**  
ROOF, EXTERIOR MASONRY, FLOOD ELIMINATION  
CORRIDOR FLOORS, PAVED AREAS

Address:  
100 IRVING AVENUE  
BROOKLYN, NY 11237

Drawing Title:  
**SITE PLUMBING PLANS  
AND DETAILS**

Drawing No.:	<b>P101.00</b>
Sheets in Contract Set:	71 of 75
Sheets in DOB Set:	71 of 75

Z:\3037 SCA\2012 contract work\56-pa123k roofs contract documents\CAD\PI101-K123.dwg, 05/07/14 11:46:05 AM, mvcibofa